

APPENDIX A. Application Form: COA and Variance

TOWN OF CHESHIRE

Historic District Commission
Planning Department, Town Hall
84 South Main Street
Cheshire, CT 06410

Date received: 1-12-21 Fee Paid: \$25.00 (cash)
Hearing Date: _____
Certificate #: _____ Expiration Date: _____
Monitor: _____
Pre-application review: Yes No

RECEIVED
Town of Cheshire

JAN 12 2020

Planning Dept.

Please read instructions on reverse before signing the form.

APPLICATION FOR:

- A. CERTIFICATE OF APPROPRIATENESS, for work described below and/or
- B. VARIANCE because of unusual site conditions

Type of project (check all that apply)

Construction

- New Building Addition to Building Major building restoration, rehabilitation
- Minor Work on a building or structure

Site changes

- Parking area (s), driveway (s) or walkway (s) Minor site changes (see list)
- Fence (s) or wall (s) Sign (s) Mechanical system (s)
- Non-temporary site feature (s): satellite dishes, pools, lighting fixtures, arbors, etc.

Demolition or relocation

- Primary building Outbuilding Site Feature

Variance Describe hardship (topographical conditions or particular problems with your lot)

- bedrock formation narrow setback mine cave-in
- underground utility or sewer lines other _____

General Information

Property Address _____

Historic District: CA-TC SB _____

Owner(s) Name: Min zhen zhang

Owner's Address 25 Church Dr. Cheshire c.t. 06410

Owner's Phone 917-582-0441 Email bennyhuang128@gmail.com

Applicant (if not owner) Gui Huang

Applicant's Address 25 Church Dr. Cheshire C.t. 06410

Applicant's Phone 917-330-1868 Email ~~benny~~ bennyhuang128@gmail.com

Applicant's Relationship to Owner husband

Contractor's Name Leonel Jordan Phone 203-525-6107

Architect's Name _____ Phone _____

Dates of Anticipated Work: Start Spring 2021 Completion _____

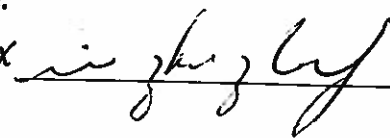
Brief Description of Proposed Work:
Front porch: I will use cedar wood to replace pine plywood and I will fix the brackets that are broken.
Window: I will also replace new window as you can see in the picture I will also repair siding and use cedar wood.

Attach additional pages as necessary. (Additional sheets on letterhead are supplied on request.)
Please include a description of how the proposed work (if a change or addition) is historically and architecturally compatible with the building and the Historic District as a whole.

The Required Materials are attached: (see list on the back of this page)

I have read the attached instructions and to the best of my knowledge, the information contained in this application is accurate and complete. I also give permission for members of the Cheshire Historic District Commission to access the property for the purpose of reviewing this application and work done under any certificate issued to me.

Owner's or Applicant's Signature (s):



Date: Jan 11, 2021

APPLICATION

Requirements: Applications must include materials listed below to be considered complete. A \$25.00 dollar processing fee is required upon submission (made out to "Collector, Town of Cheshire"). Incomplete applications will not be reviewed.

Deadline: Applications are due at Town Hall ten (10) days prior to a regular HDC meeting. The HDC ordinarily meets on the first Mondays at 7:30 PM and, in some months, on the third Monday as well. In case of a Monday holiday, the meeting will usually be held on the following day (Tuesday) at 7:30 PM. **Please call the Planning Office 271-6670 to verify the meeting dates.**

Representation: Applicants or a representative must attend the COA or Variance public hearing

Changes: Work must be completed as presented and approved. If modifications become necessary, such changes must be presented to and approved by the HDC prior to beginning work on any aspect of said modification.

.....

REQUIRED MATERIALS: Three copies of the following materials should be attached to three copies of the COA application form.

New Buildings and Additions

- Description of project
- Photographs of proposed site/setting
- Site plan, 1"=20'
- Exterior building elevations
- Floor plan
- Description of materials (If using non-original materials, please supply samples, brochures, websites, locations where material is in use)

- If new building is proposed, follow procedures for New Buildings and Additions as stated above

Site changes: parking, drives, and walks

- Site plan
- Description of materials
- Photographs of site and larger neighborhood context

Site changes: fences, walls, and other site features

- Site plan
- Architectural elevations or sketches
- Description of materials
- Photographs of site

Site change: signs

- Site plan or sketch of site (for free-standing signs)
- Architectural elevation or sketch (for signs located on the building)
- Description of materials, design, type, styles, etc.
- Description of illumination

Variance

- Site plan showing location (s) of problem (s)

The HDC uses its Regulations to make informed decisions. Copies of the Regulations are available free of charge at the Planning Department.

Decisions on projects requiring a COA, follow the public hearing which is held approximately two weeks after the application has been received by the HDC at a regular meeting. **All decisions must be made within 65 days of receipt of the complete application.**

Major Restoration, Rehabilitation

- Description of project
- Photographs of existing building & setting
- Exterior building elevations
- Description of materials (see New Buildings above)

Minor Exterior Changes to Buildings or Sites

- Description of project
- Photograph of building or site (portion)
- Description or sample of materials

Demolition or Removal of Building/Structure

- Description of proposed project
- Site plan showing trees, fences, paths
- photographs of adjacent buildings and setting, and of all sides of building to be demolished
- Sketch of, and description of, what the site will look like after demolition or moving, if no building is proposed

10:15 ↵



From bennyhuang128@gmail.com

Re: Meeting at 25 Church Dive

On Mon, Jan 4, 2021 at 8:22 AM Stacey Vairo
<svairo@preservationct.org> wrote:

Front porch

I will use cedar wood to replace pine plywood and I
go the fix brackets are broken
Window

I will also replace new window as you can see in the
picture I will also repair siding use cedar wood





Leonel Jordan
12/21/20, 6:56 PM

All Media



app. Download it now.

INSTALL

★★★★★ (187k)

< Appearance Boards

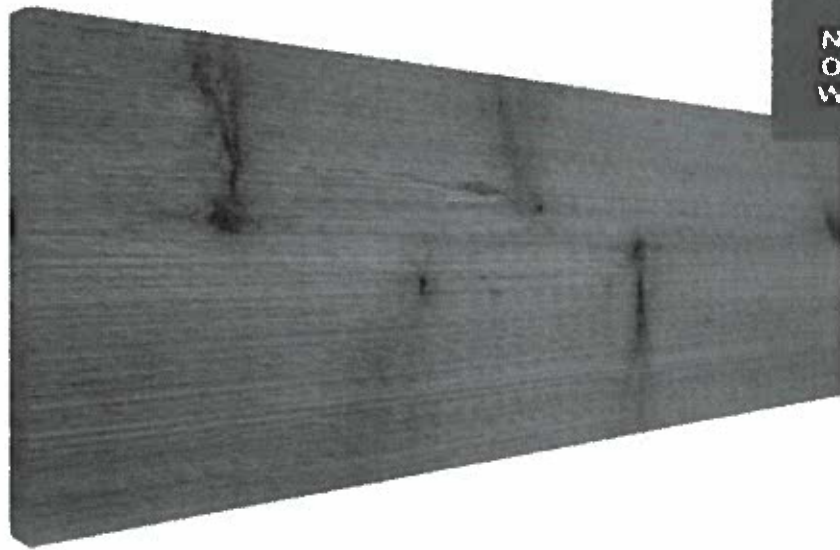
\$30.24

★★★★☆ 17

View Q&A

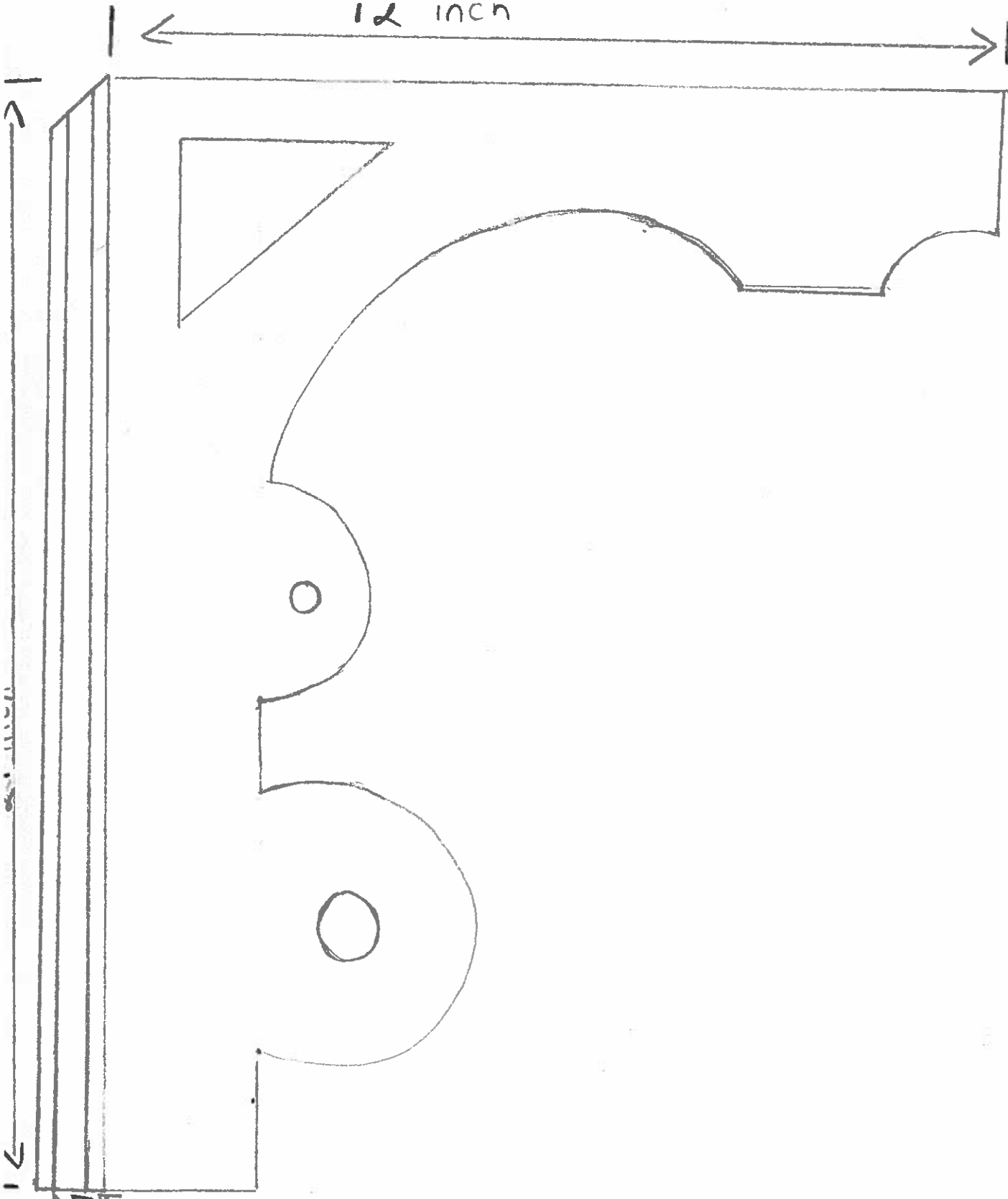
1-in x 8-in x 12-ft Square Unfinished Cedar Board

Item #7506 Model #7506

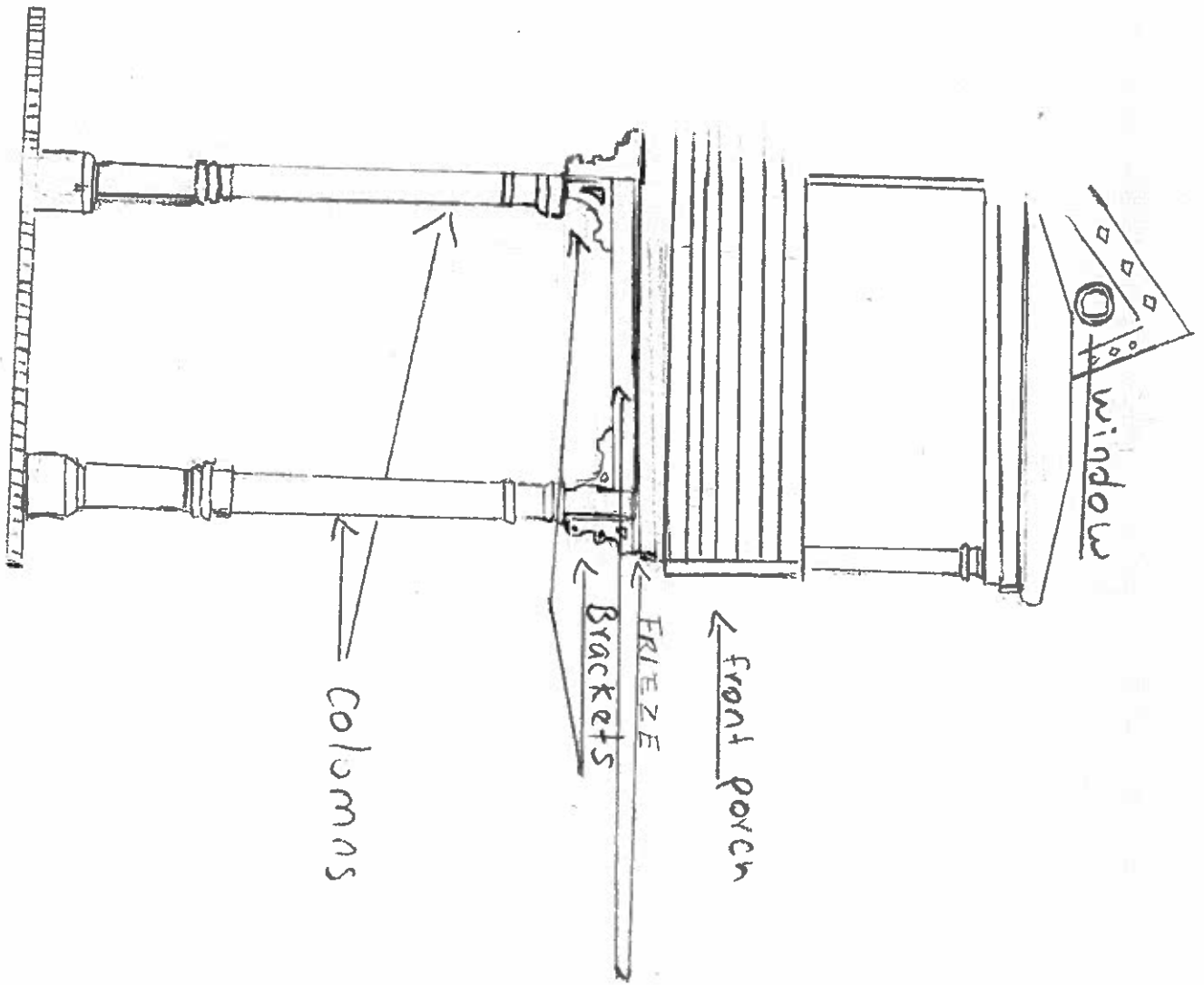


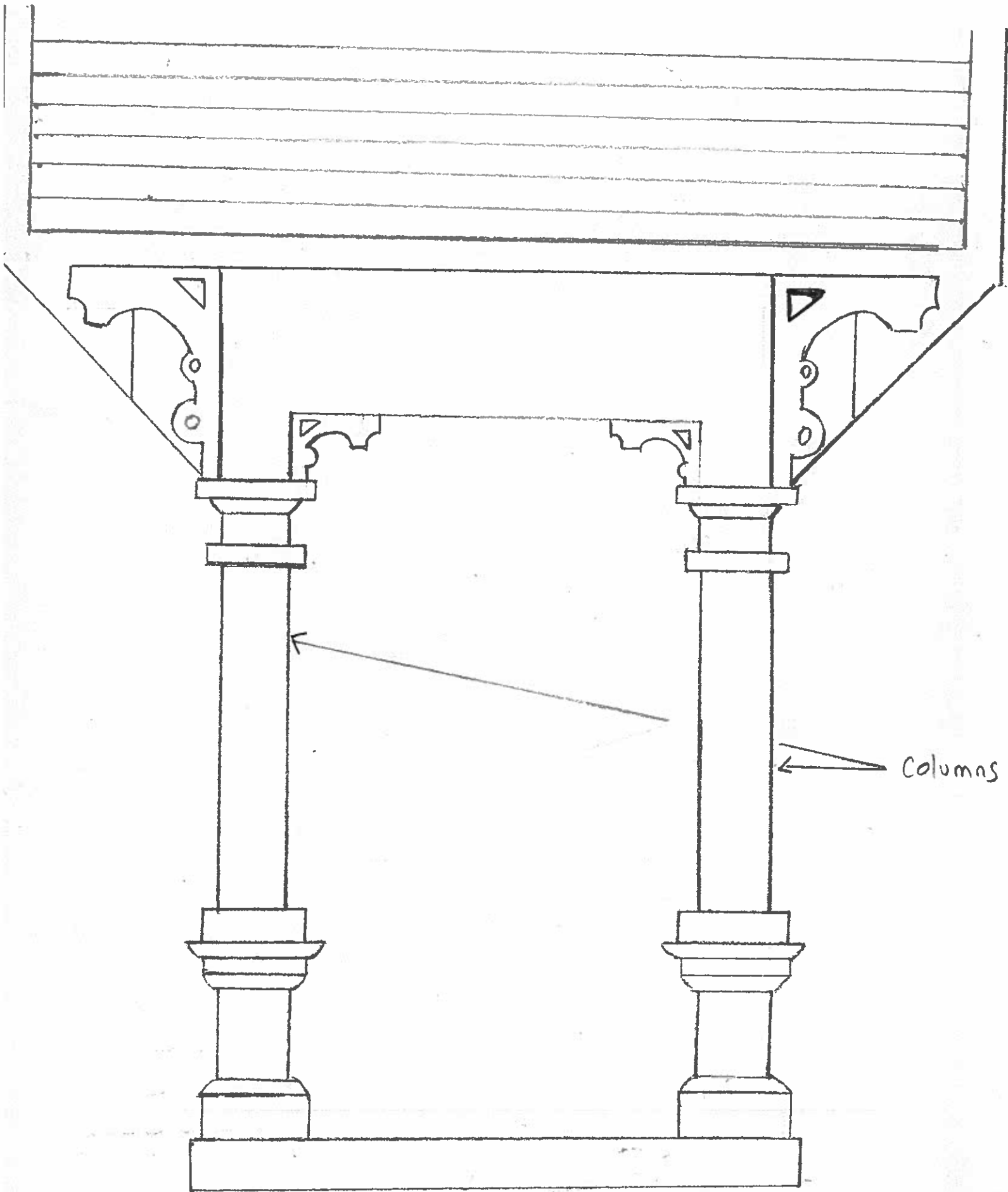
CHAT NOW





1 inch thick }
2 inch thick }
1 inch thick }





Columns



75 in

118
115
61

9:54 ↗



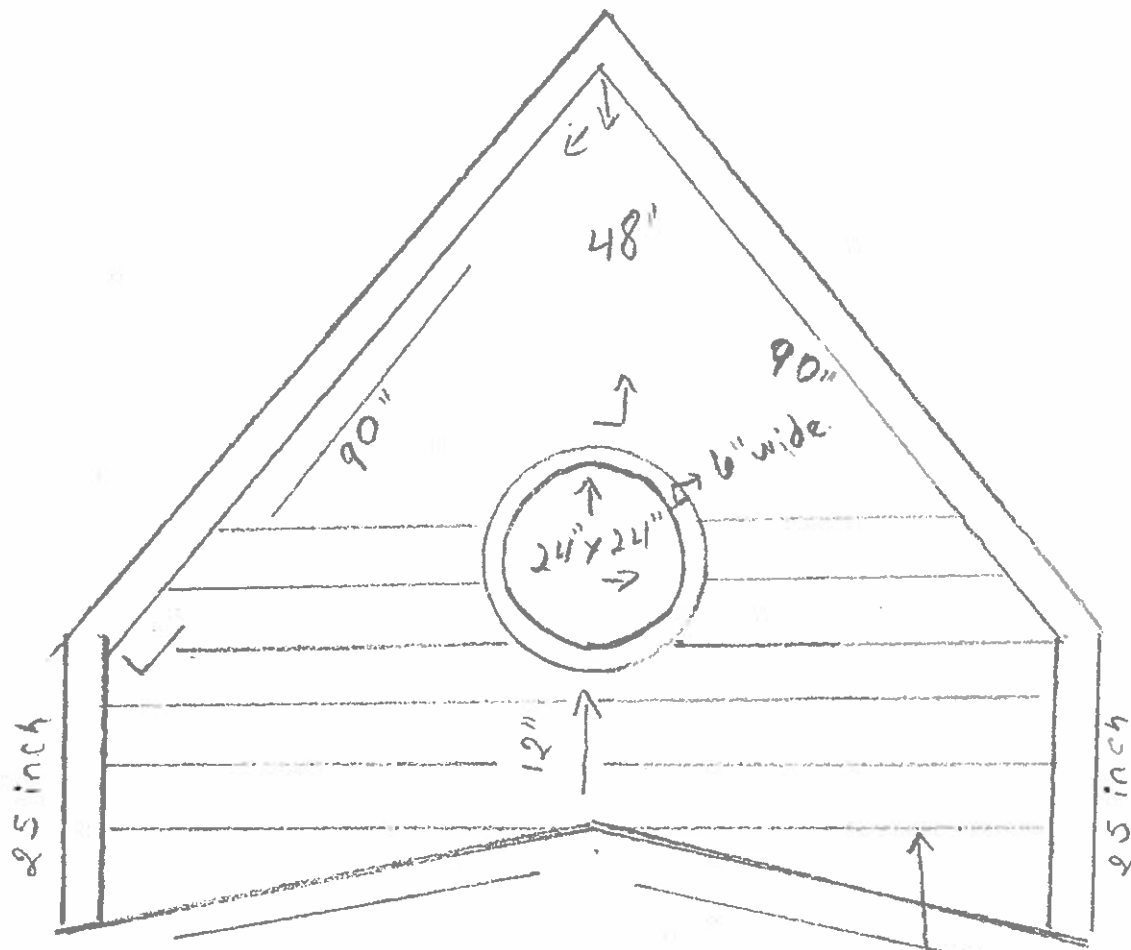
◀ Camera



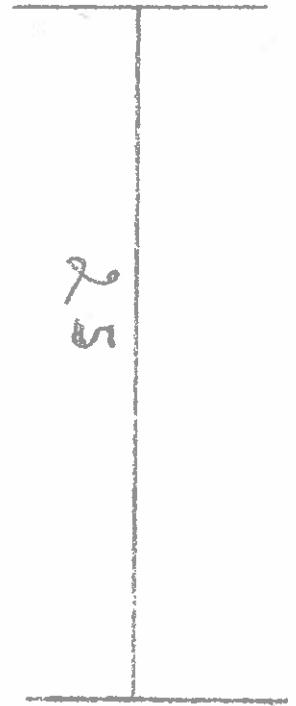
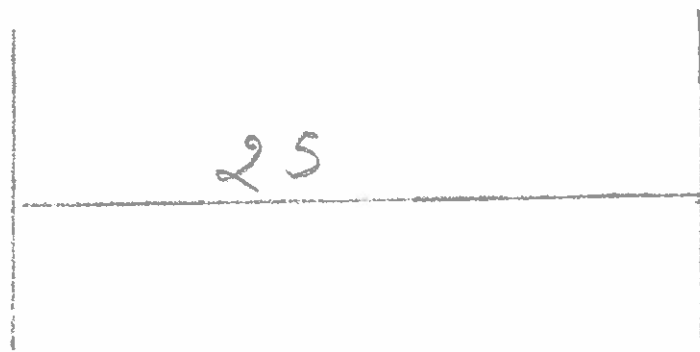
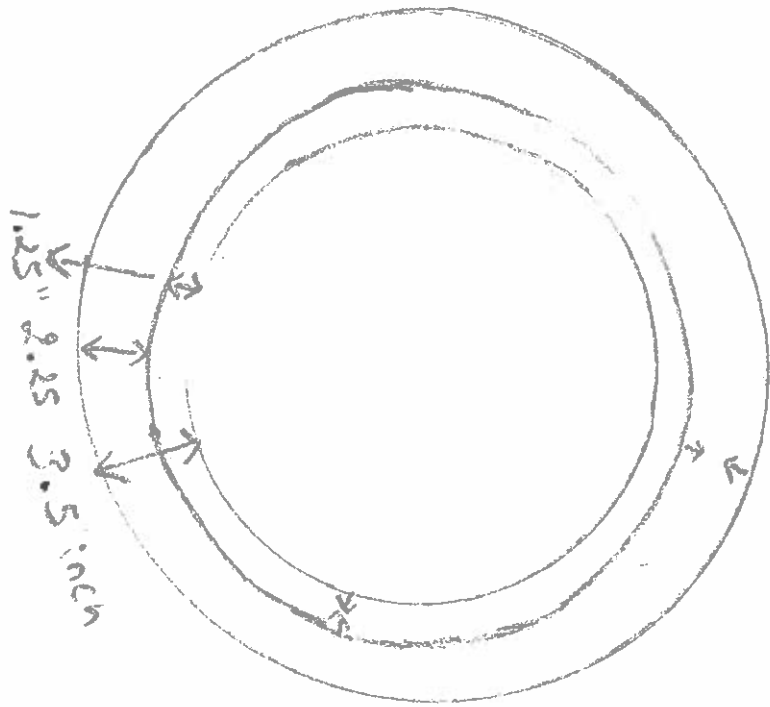
Cheshire
December 15, 2020 8:59 AM

Edit





siding 1x4
there is wood
siding under



Sitko, Jerry

From: Stacey Vairo <svairo@preservationct.org>
Sent: Wednesday, January 13, 2021 1:14 PM
To: Sitko, Jerry
Subject: Re: Ocular Window

Hi Jerry -

Apologies! I sent it with a misspelling of your name - twice! Mr. Huang got it though when I sent it on the 4th and on Tuesday.

Please let me know if you have any questions.

Thanks!

Stacey

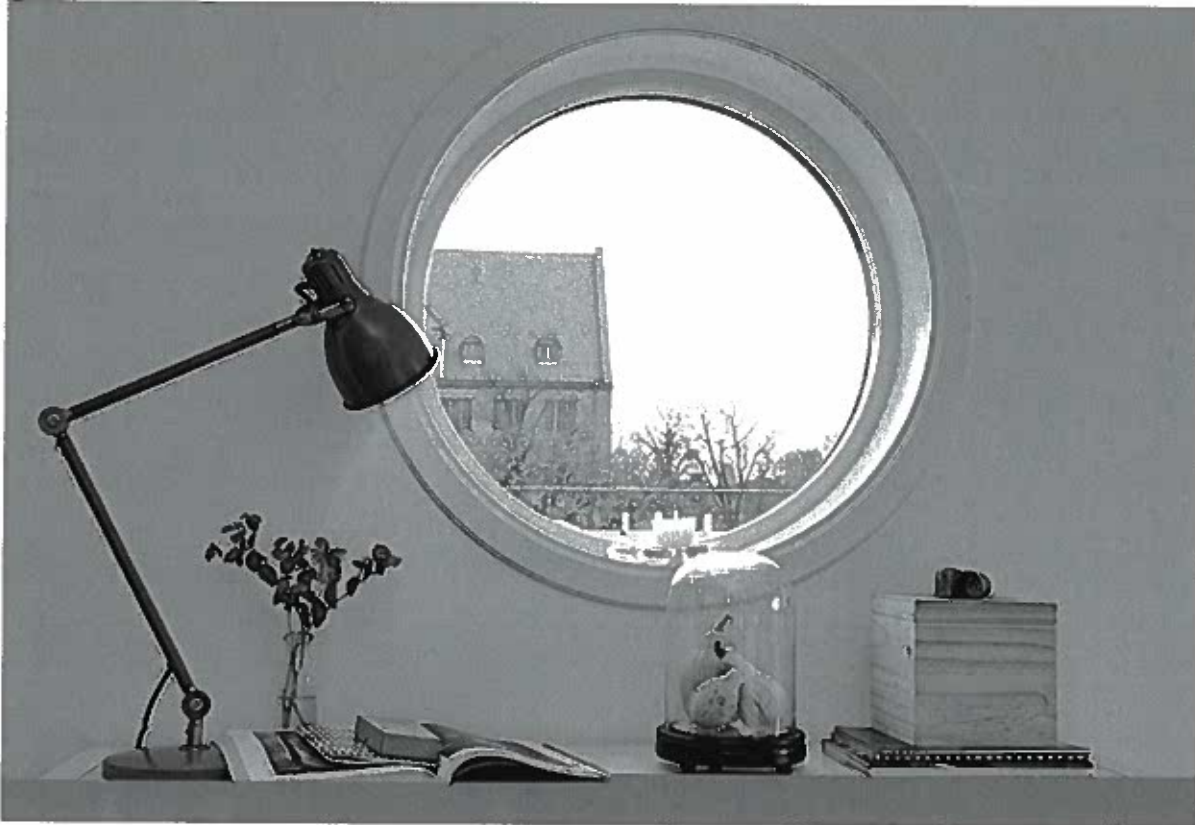
From: Stacey Vairo
Sent: Monday, January 4, 2021 7:10 PM
To: Benny Huang (bennyhuang128@gmail.com)
Cc: gsitko@cheshirect.org
Subject: Ocular Window

Good Evening, Mr. Huang -

Thanks so much for showing us your house and your plans today. I went with Gerry over to the Town Hall after our meeting and took a look at the window. It looks like a good start, but I have a few questions and concerns:

1. Which side is the one that will face the exterior the glass or the screen? If the screen is on the exterior, it seems that there is a good chance that the water from rain or wind will be captured in the unit and it will deteriorate really quickly. It should be sealed in some way as it is very likely that the original window was

simply one piece of glass that was fixed to the frame. Like this



one:

2. The way that the glass is attached to the wood using plastic clips is concerning. This is less about the way it looks and more about the longevity of the window unit itself. It seems that it would be very vulnerable to blowing out in a high wind or rotting because, again, it isn't a sealed joint. If you were to seal any openings where the glass meets the wood and then put a rounded trim over it to keep it in place the seal would be much stronger.

3. The finish on the window is very rough. This is not something that you can likely see from the street, so again this is less about looks and more about function. The rough surface will catch the dirt and moisture making the surface very vulnerable to rot. A good sanding and a thorough painting of the exposed wood is needed to ensure the window lasts.

These are just some suggestions that I think will help your case with the Historic District Commission. If you have any questions, please reach out and I'd be happy to answer them.

Best Regards,

Stacey Vairo
Circuit Rider, Preservation CT
475-355-0067